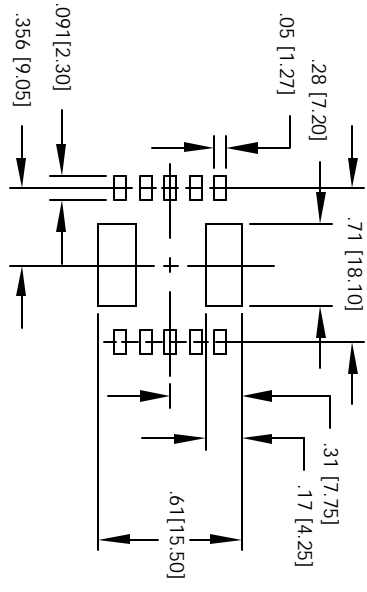
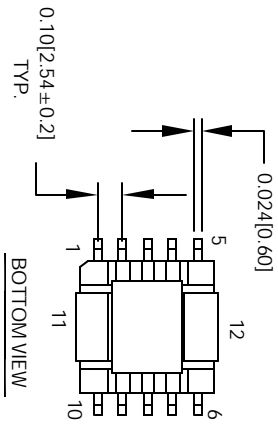
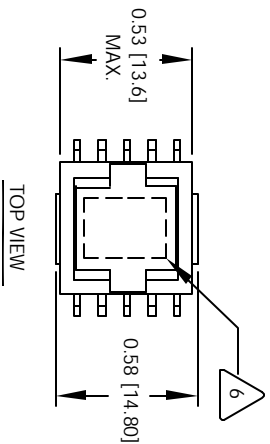
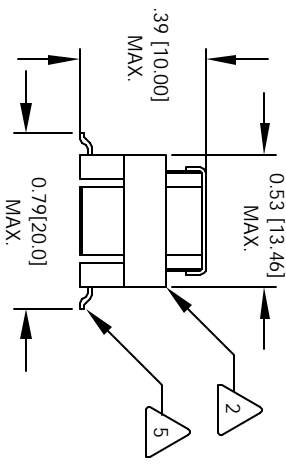
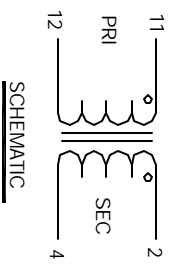


The information contained in this drawing is the sole property of CWS Coil Winding Specialist. Any reproduction in part or whole without written permission of CWS Coil Winding Specialist is prohibited.

REVISION HISTORY			
REV	ECN	DESCRIPTION	DATE
A		PRODUCTION RELEASE	5/24/04



6 WHERE SHOWN  
MARK PART NUMBER AND REVISION

5 REMOVE INSULATION, SOLDERED TO LEADS

4 CONSTRUCTION: ENCAPSULATED USING BOBBIN.

3 SPECIFICATIONS @ 25 °C  
 WIRE: UL RECOGNIZED 130 °C RATED MAGNET WIRE  
 CWS BYTE-MARK OR OTHER APPROVED PART  
 CORE: FERRITE TOROID  
 BOBBIN RATING CLASS B (130 °C) REQUIRED  
 MATERIAL: UL RECOGNIZED 94V-0 FOR FLAMMABILITY  
 NOTES: UNLESS OTHERWISE SPECIFIED, CURRENT SENSOR.  
 UNIT: INCHES [MM]

2 CORE: FERRITE TOROID  
 BOBBIN RATING CLASS B (130 °C) REQUIRED  
 MATERIAL: UL RECOGNIZED 94V-0 FOR FLAMMABILITY  
 NOTES: UNLESS OTHERWISE SPECIFIED, CURRENT SENSOR.  
 UNIT: INCHES [MM]

UNLESS OTHERWISE SPECIFIED	DO NOT SCALE DRAWING
DRAWING AND TOLERANCE PER FIG 11.4.2M	
ALL DIMENSIONS ARE IN NOTES AND DIMENSIONS	
TOLERANCE METRICS	
UNLESS OTHERWISE SPECIFIED	

QTY	CODE	IDENT	MFG. P/N	DESCRIPTION	ITEM NO.
				<b>PARTS LIST</b>	
				<b>COILS COM, INC</b>	
				1510 E. Edinger Ave.	
				Unit B, Santa Ana, CA, 92705	
				<b>Current Sense Transformer</b>	
				SIZE: 72-405	
				SCALE: 2=1	
					REV A